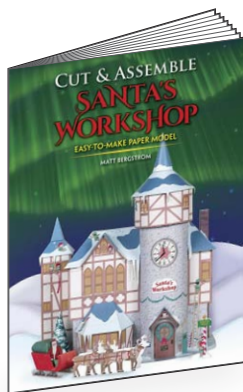


HERE'S a book of games and activities that kids of all ages can enjoy with the *Cut & Assemble Santa's Workshop* papercraft model published by Dover Publications.

Can you find all the little elves and other details of the workshop? Look carefully! Cut out the extra details and workers to help build more toys.

Create your own games and ideas to personalize your model and create a charming and magical miniature to enjoy at the holidays year after year!



Cut & Assemble Santa's Workshop:
An Easy-to-Make Paper Model
by Matt Bergstrom
published by
Dover Publications, 2017
ISBN 978-0-486-81902-0

©Matt Bergstrom
www.wurlington-bros.com

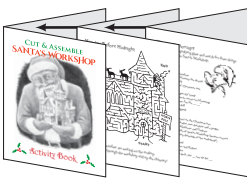
CUT & ASSEMBLE SANTA'S WORKSHOP



Activity Book

To assemble your *Santa's Workshop* activity book: Print this sheet on heavy cardstock. Cut out the cover above and fold in half. Print out the PDF for the inner pages double-sided on the long side. Cut the sheets in two and fold

each in half. Staple or sew the binding to complete your *Santa's Workshop* mini activity book.



North Pole Mail Truck

Right Track

Left Track

Chassis

Mail Truck

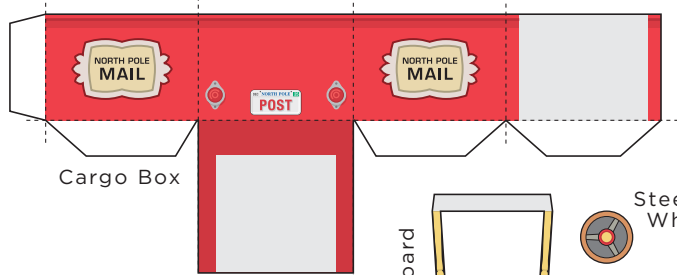
Mailman

Seat

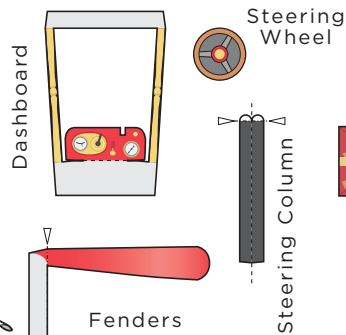
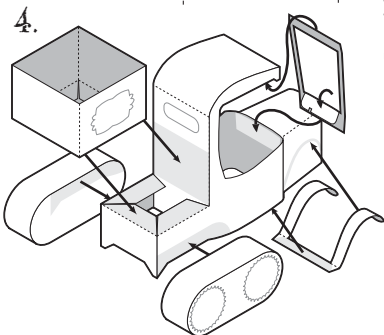
Gift Box

1. Poke a hole in the roof of your mail truck and add a string to make a tree ornament

2.



Cargo Box



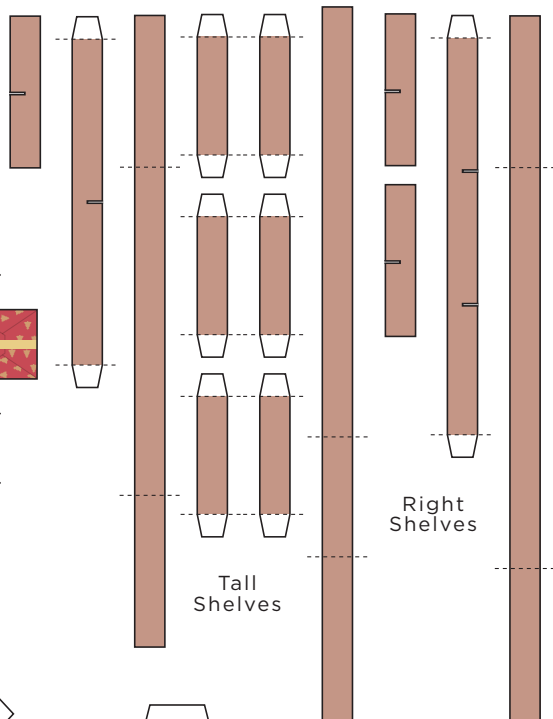
Dashboard

Steering Wheel

Steering Column

Fenders

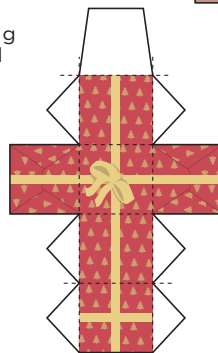
Left Shelves



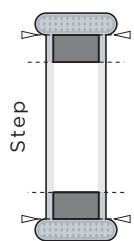
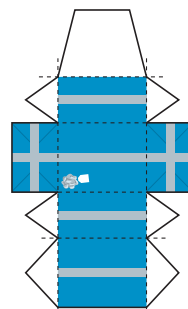
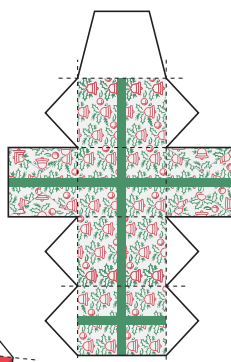
Right Shelves

Tall Shelves

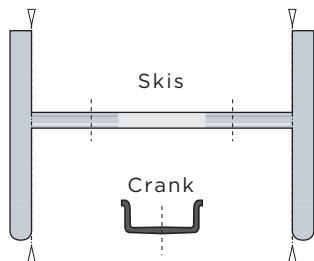
Workshop Shelves



Gift Boxes

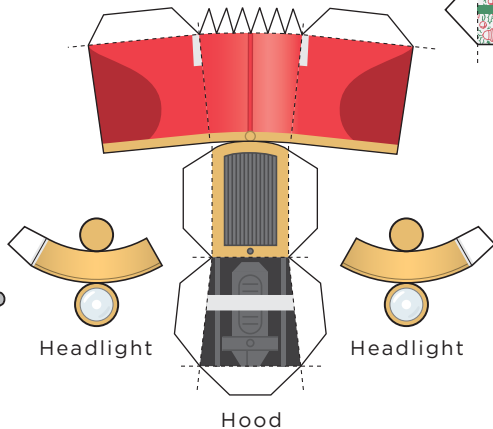
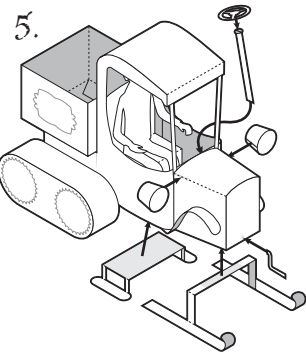


Step



Skis

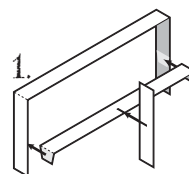
Crank



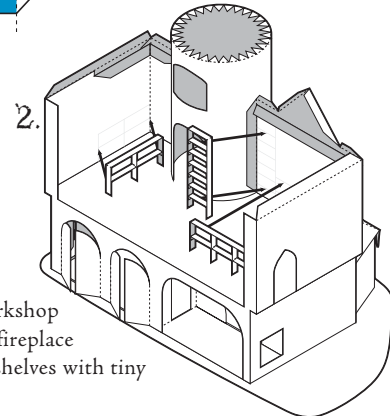
Headlight

Headlight

Hood



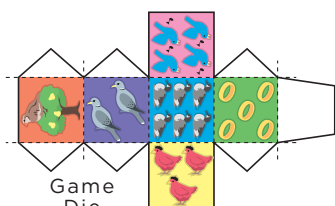
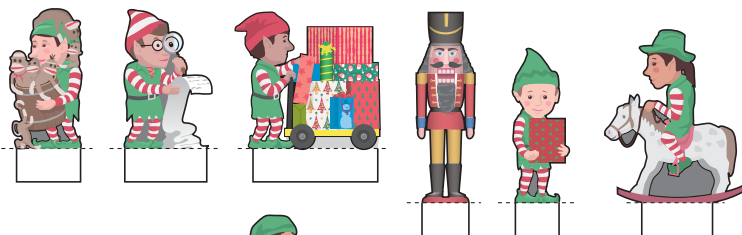
1.



2.

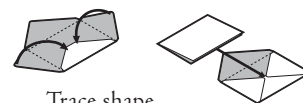
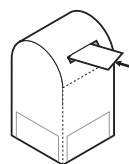
Assemble these optional shelves and add to the workshop interior before gluing the fireplace and tree in place. Fill the shelves with tiny toys and miniature gifts.

Elf Helpers

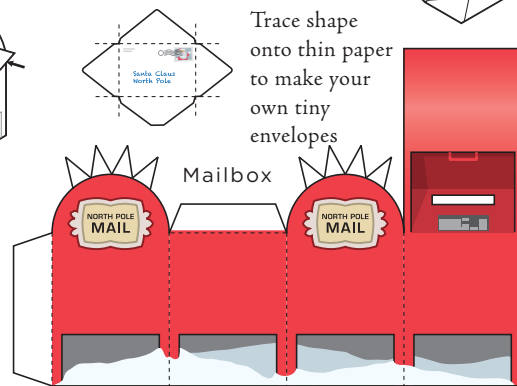


Game Die

Mailbox



Trace shape onto thin paper to make your own tiny envelopes



Mailbox

Drop game die down the workshop chimney to play the game in the Santa's Workshop minibook

Letters

