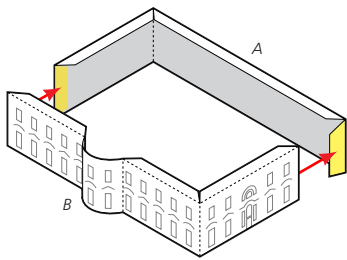


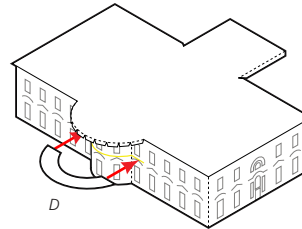
# THE WHITE HOUSE

How to build the paper model featured in the book *American Landmarks: Miniature Models to Cut and Assemble* by Matt Bergstrom (©2012 Dover Publications, Inc.)

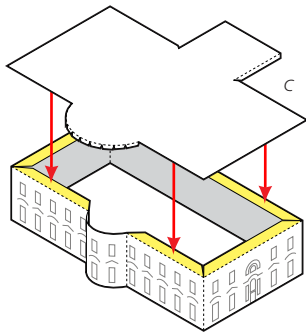


**1**

Cut out walls A and B and glue the corners together. Note that folds on either side of the South Portico are reverse (valley) folds, so that the South Portico is curved outward as shown in the diagram. Curl the paper around a pencil or stick to get the right curvature.



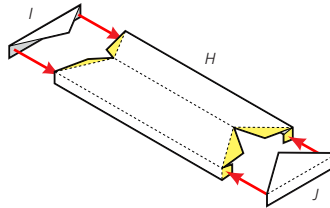
Cut out the Truman Balcony D and glue it in place on the South Portico between the first- and second-floor windows. If necessary, trim the balcony a little so that it fits the curvature of the South Portico.



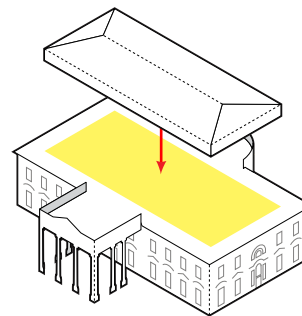
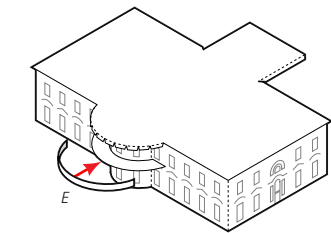
Glue the roof C to the tabs at the top of the walls. Make sure the walls are straight and the corners of the building are square.

**2**

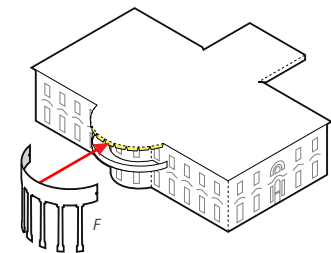
Cut out the railing E. Curl the railing against a round pencil or dowel, then glue it to the edge of the Truman Balcony.



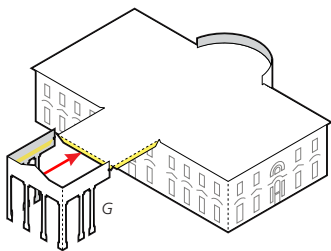
Cut out the roof and walls for the third floor labeled H, I & J. Glue the ends I and J to the tabs on piece H. The walkway on the rooftop should match up, so that Secret Service officers can patrol the rooftop of the building.



Glue the third floor to the roof. Center the third floor in the shaded area, and note that the triangular shaded area on the roof should face the North Portico, where you will attach the roof in the next step.



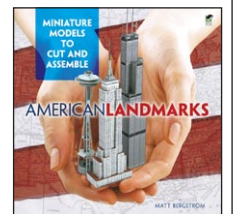
Cut out the pillars for the South Portico F. Glue the piece to the tabs on the roof and against the railing of the balcony. The tiny notches on the left and right of piece F will fit onto the edge of the roof piece C.



Turn the model around. Cut the North Portico labelled G. Fold and glue the piece to the tabs on the roof. The tiny notches on the left and right of piece G will fit onto the edge of the roof piece C.

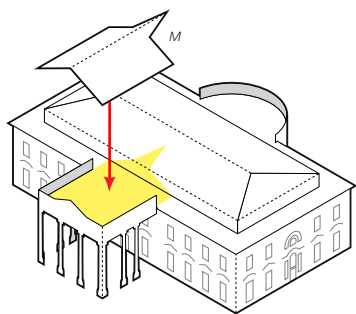
See other paper model kits in the book *American Landmarks: Miniature Models to Cut and Assemble*

ISBN 978-0486482811



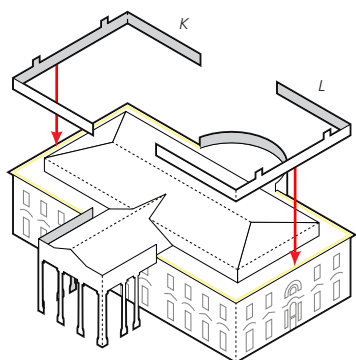
# THE WHITE HOUSE

How to build the paper model featured in the book *American Landmarks: Miniature Models to Cut and Assemble* by Matt Bergstrom (©2012 Dover Publications, Inc.)

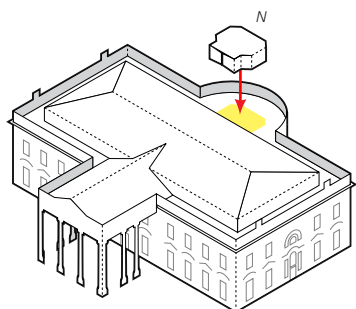


3

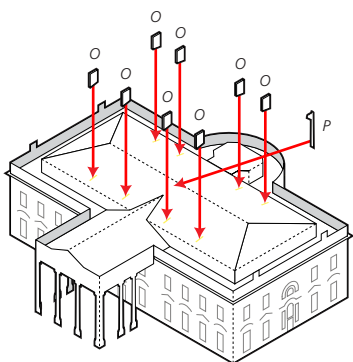
Cut out the North Portico rooftop M, fold, and glue in place. If you lined up the third floor correctly in the last step, the small rooftop should fit perfectly inside the walls of the North Portico, with the pointed tip glued to the shaded area on the third floor roof.



Add the railings of the roof terrace K and L. The ends of the railings should match against the ends of the railings of the North and South Porticos.



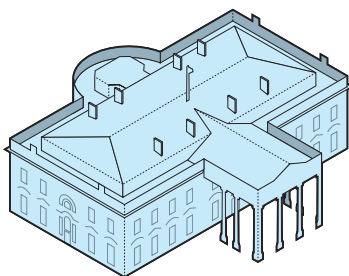
Cut out and assemble the solarium N. This small rooftop building is an octagon shape and attaches to the wall of the third floor above the South Portico. Glue the solarium in the shaded octagon on the terrace roof.



For the eight chimneys O, you may find it easier to fold and glue all the chimneys at once before cutting the individual chimneys. After the glue is dried, cut out each chimney and glue it upright on the third floor rooftop in the places indicated.

Carefully cut out the tiny flag pole P and glue it to the rooftop slightly toward the north side of the building. Strengthen the flag pole with a small drop of cyanoacrylate super glue on the back side of the paper, to make it sturdier.

Now your paper model of the White House is finished!



See other paper model kits in the book *American Landmarks: Miniature Models to Cut and Assemble*

ISBN 978-0486482811

